

## **240 LITRE CONTAINER: STILL GOING STRONGLY**



**EASY HANDLING  
VERSATILE  
STABLE DESIGN**

### **Adheres to all standards**

- Manufactured in accordance with AS4123
- Certified to International standards for MGBs (EN840)
- Resistant to UV degradation
- Colour range to meet 'waste stream' standards



### **Multiple applications**

- Household refuse
- Commercial waste
- Recyclable materials
- Household organics



### **Improved design features**

- Internal concave floor assists emptying
- Thicker handle for improved control
- Flexibility in bin and lid markings



# 240 LITRE CONTAINER

## Material

- **Polymer components:**
  - Injection moulded from specially designed HDPE
  - Resistant to decay, frost, heat and chemicals
  - Special UV-stabilisation provides excellent ageing characteristics
- **Corrosion resistant steel axle**
- **Noise reduction:**
  - Quiet-running solid rubber tyres
  - Tight-fitting axle
- **Long service life:**
  - High quality materials
  - Most advanced manufacturing processes
  - Withstands exposure to high mechanical stress levels
- **Recycling:**
  - All container parts are recyclable

## Advantages

- Easy to manoeuvre
- Versatile, with a comprehensive accessories range
- Complies with EN840 and AS4123 quality requirements
- Particularly stable due to external position of wheels
- Safe and easy to handle
- Suitable for all DIN lifting equipment
- Double angle rail for greater safety when emptying
- Compatible with identification and weighing systems
- Special ribs prevent containers from becoming jammed when stacked

## Imprints and markings

- Manufacturer, year of manufacture, material
- Nominal volume, max permitted total weight
- EN 840 and AS4123 markings
- Individual markings with imprints, hot-foil printing or adhesive labels\*
- Customer specific serial numbers if required\*

## Accessories

- For accessories and special design variations such as lid apertures and locks please refer to the separate accessories sheet for 2-wheeled containers

## Quality

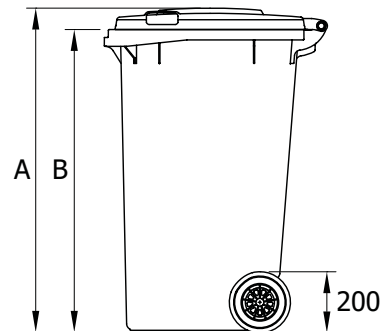
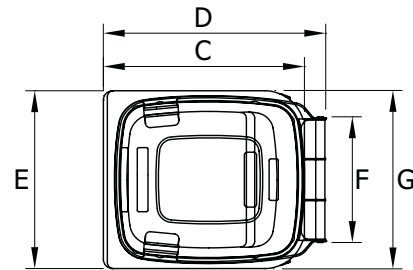
- Certified according to EN840
- Manufactured in accordance with AS4123

## Dimensions - Weights - Standards

- Nominal volume: 240 litres
- Net weight: approx 13 kg
- Max load: 96 kg
- Permitted total weight: 110 kg

- A 1060 mm
- B 990 mm
- C 660 mm
- D 730 mm
- E 585 mm
- F 400 mm
- G 550 mm

Measurements to be used as a guide only – variations will occur



## Colours

- Standard colours: black, nature green, dark green, grey
- Special colours are available on request\* – common colours include blue, yellow, red, brown, orange, purple



DIN

